



*800 System · VSP 891*

904-92105

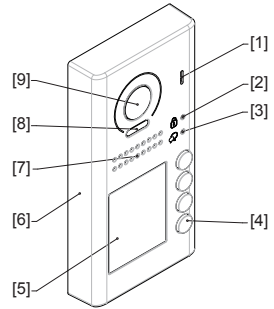
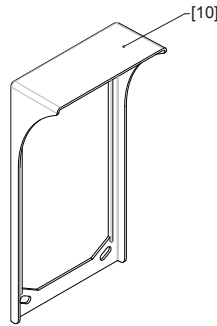
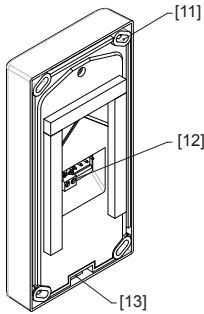
**User Manual**



## CONTENTS

<b>PARTS AND FUNCTIONS</b> .....	<b>1</b>
Part Names.....	1
Mounting.....	1
External Motion Detection .....	2
<b>SETUP INSTRUCTIONS</b> .....	<b>3</b>
Functions Setting Up .....	3
Setting Door Station Address .....	4
Setting Door Station Calling Mode .....	4
Setting Unlock Mode .....	6
Setting Unlock Time.....	6
Setting Nameplate Illumination Mode.....	7
Setting Night View LED Illumination Mode .....	7
Setting Ring-back Tone .....	8
<b>WIRING</b> .....	<b>9</b>
Connecting Electric Lock .....	9
Connecting Basic One-to-one .....	10
Connecting Multi Door Stations .....	10
Connecting Multi Monitors .....	11
<b>APPENDIX</b> .....	<b>13</b>
Precautions.....	13
Specification .....	13
Cables and Requirements .....	14

## Part Names



[1] Microphone

[2] UNLOCK indicator

[3] CALL indicator

[4] Call button

[5] Nameplate

[6] Front panel

[7] Speaker

[8] Night view LED

[9] Camera lens

[10] Rainy cover

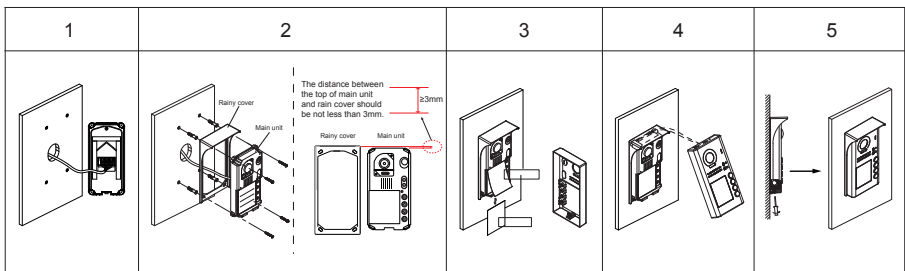
[11] Mounting hook

[12] Connection port

[13] Screw hole

## Mounting

The installation height is suggested to 145~160cm.



1. Connect the cable correctly.

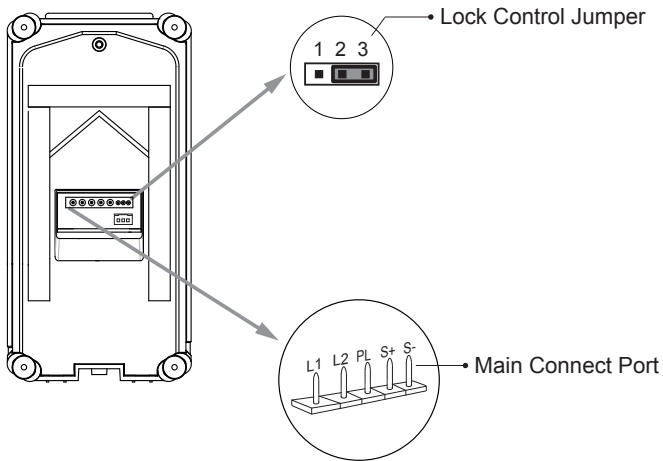
2. Drill holes in the wall to match the size of screw stoppers, then attach the rainy cover and main unit to the wall, and the distance between the top of main unit and rain cover should be not less than 3mm.

3. Install the name plate.

4. Attach the front panel to the main unit.

5. Use the special screwdriver and the screws to fix the panel.

## Terminal description



**Lock Control Jumper:** To select the lock type.

**Motion Detector Connect Port:** Not available.

**Main Connect Port:** To connect the bus line and the electronic locks.

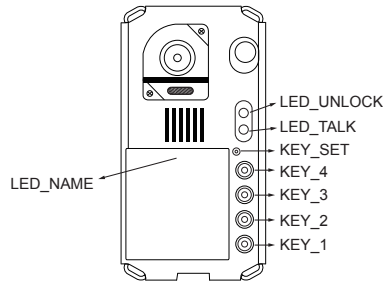
- **L1,L2:** Connect to the bus line, no polarity.
- **PL:** External lock power input, connect to the power positive(power +).
- **S+:** Lock power(+) output.
- **S-:** Lock power(-) output, connect to the power(-) input of locks(only when using the door station to power the locks, if using the external power supply for the locks, the S- will not be connected).

## Functions Setting Up

This section explains the settings of each function, please refer to the following table:

To perform the settings for the function you want, you should move away the metal front panel. Please refer to the sketch map.

Each operation is indicated by the lighting up of the **LED** indicator on the unit, and by the sounding of the buzzer.

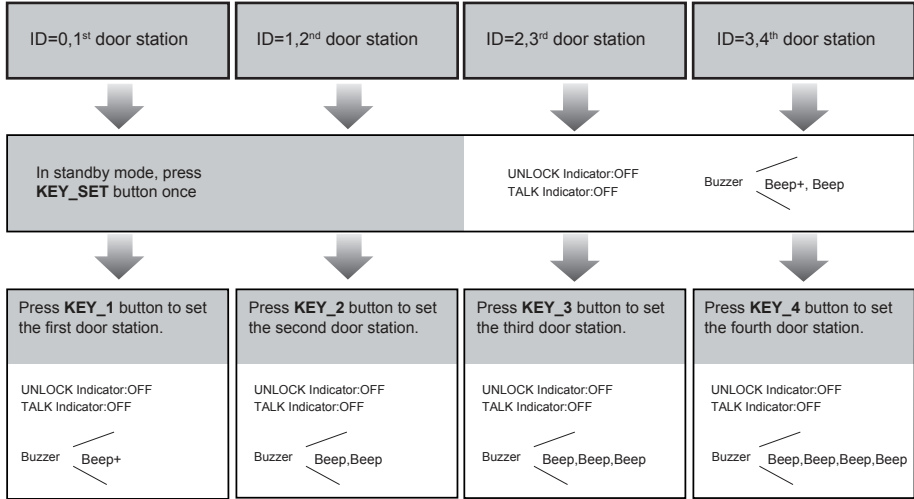


Order	Setting items	Setting range	Default value
1	Setting door station address	0~3	0
2	Setting door station calling mode	Standard/Group calling mode	Standard calling mode
3	Setting the unlock mode	0:opened/1:closed	0:opened
4	Setting the unlock time	01 to 99 seconds	1 seconds
5	Setting the nameplate illumination mode	On/Off/Auto	On
6	Setting night view LED illumination mode	On/Off/Auto	Auto
7	Setting ring-back tone	Ringing one time Ring continuously No ring-back tone	Ringing one time

## Setting Door Station Address

Total 4 addresses can be configured. It can be modified either before or after installation.

0 is default, to change the setting, please follow the steps:



- If setting mode has not been exited, you can change the address of door station by pressing KEY1~4 freely.
- The **LED\_NAME** indicator will always blink until exit out the setting mode.
- If without any operation in 10 seconds, it will exit out setting mode automatically.
- In this step, press **KEY\_SET** button four times to exit out the setting mode manually.

## Setting Door Station Calling Mode

There are two calling modes for door station, **Standard calling mode** and **Group calling mode**.

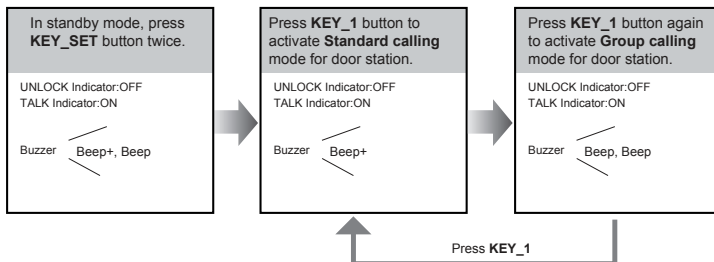
**Please know that the door station work in Standard calling mode by default.**

Each call button will respond different addresses when set in different calling mode. Refer to the followings for more informations.

	<p><b>1.Standard calling mode(Address range 01-04 by default)</b></p> <p><b>Call buttonA:</b> call the monitor with address <b>01</b> by default.</p> <p><b>Call buttonB:</b> call the monitor with address <b>02</b> by default.</p> <p><b>Call buttonC:</b> call the monitor with address <b>03</b> by default.</p> <p><b>Call buttonD:</b> call the monitor with address <b>04</b> by default.</p>
	<p><b>2.Group calling mode</b></p> <p><b>Call buttonA:</b> Call all monitors in group address from 00~15.(one of the monitor should be set to <b>00</b>)</p> <p><b>Call buttonB,C,D:</b> Call all monitors in group address from 16~31. (one of the monitor should be set to <b>16</b>)</p>

\* More details about code setting for monitor, please refer to corresponding user manual .

To change this setting, please follow the steps:



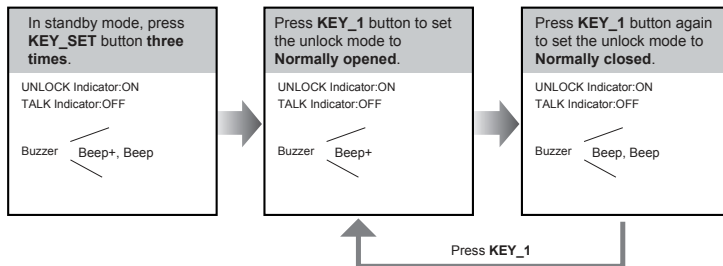
- If setting mode has not been exited, you can change the calling mode by pressing KEY1 circularly.
- The **LED\_NAME** indicator will blink all the time until exit out the setting mode.
- If without any operation in 10 seconds, it will exit out setting mode automatically.
- In this step,press **KEY\_SET** button three times to exit out the setting mode manually.



## Setting Unlock Mode

There are 2 unlock modes, **Normally opened** and **Normally closed**.

Normally opened is default, to change the setting, please follow the steps:

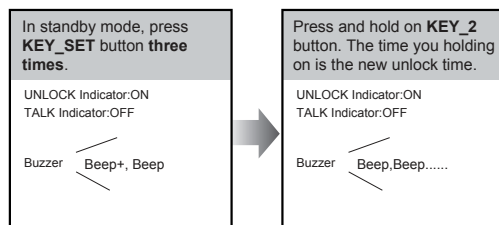


- If setting mode has not been exited, you can change the unlock mode by pressing KEY1 circularly.
- The **LED\_NAME** indicator will blink all the time until exit out the setting mode.
- If without any operation in 10 seconds, it will exit out setting mode automatically.
- In this step,press **KEY\_SET** button twice to exit out the setting mode manually.

## Setting Unlock Time

By default, the unlock time is 1s, but it can be changed,the setting range is 1s~99s.

Follow the steps:

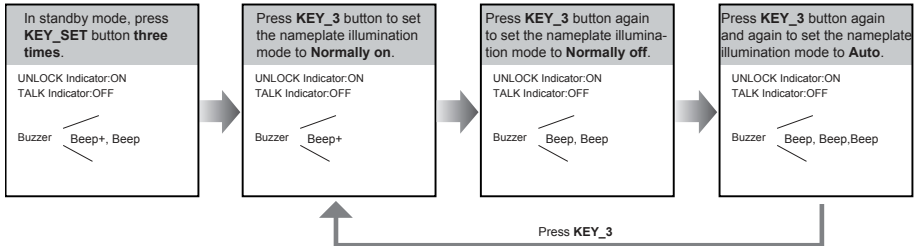


- When entering time delayed setting, the buzzer sound one time every second.
- The **LED\_NAME** indicator will blink all the time until exit out the setting mode.
- If without any operation in 10 seconds, it will exit out setting mode automatically.
- In this step,press **KEY\_SET** button twice to exit out the setting mode manually.

## Setting Nameplate Illumination Mode

There are 3 illumination modes for nameplate indicator, **Normally on**, **Normally off** and **Auto**.

Normally on is default, to change the setting, please follow the steps:

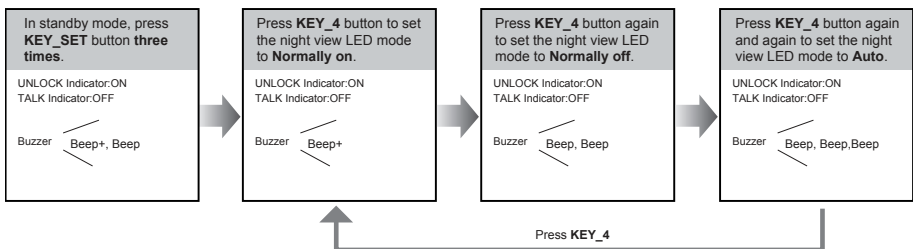


- If setting mode has not been exited, you can change the nameplate illumination mode by pressing KEY3 circularly.
- The **LED\_NAME** indicator will blink all the time until exit out the setting mode.
- If without any operation in 10 seconds, it will exit out setting mode automatically.
- In this step, press **KEY\_SET** button twice to exit out the setting mode manually.

## Setting Night View LED Illumination Mode

There are 3 working modes for night view LED indicator, **Normally on**, **Normally off** and **Auto**.

Auto is default, to change the setting, please follow the steps:



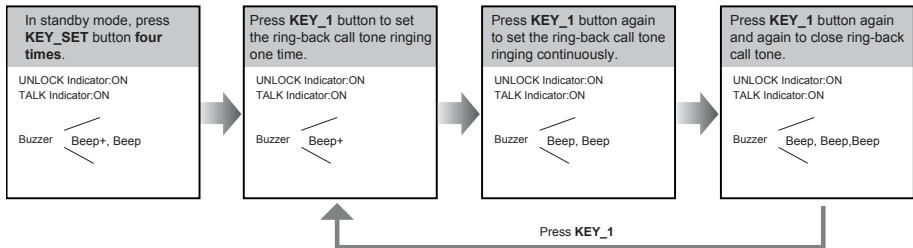
- If setting mode has not been exited, you can change the night view LED illumination mode by pressing KEY4 circularly.
- The **LED\_NAME** indicator will blink all the time until exit out the setting mode.
- If without any operation in 10 seconds, it will exit out setting mode automatically.
- In this step, press **KEY\_SET** button twice to exit out the setting mode manually.

## Setting Ring-back Tone

If allow ring-back tone, press the call button to call monitor, a ring-back call tone can be heard from door station.

There are 3 ring-back call tones, **Ringing one time**, **Ringing continuously** and **No ring-back tone**.

Ringng one time is default, to change the setting, please follow the steps:

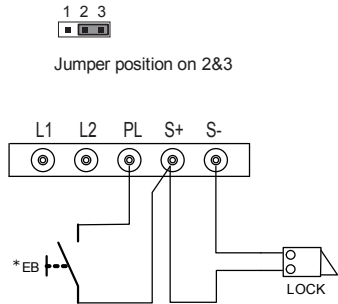


- If setting mode has not been exited, you can change the ring-back tone by pressing KEY1 circularly.
- The **LED\_NAME** indicator will blink all the time until exit out the setting mode.
- If without any operation in 10 seconds, it will exit out setting mode automatically.
- In this step, press **KEY\_SET** button once to exit out the setting mode manually.

## Connecting Electric Lock

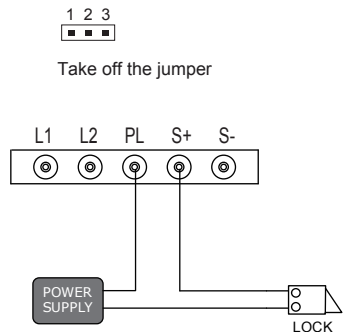
### Door Lock Controlled with Internal Power

1. Electronic lock of Power-on-to-unlock type should be used.
2. The door lock is limited to 12V, and holding current must be less than 250mA.
3. The jumper should be placed on position 2 and 3 before connecting.
4. The door lock control is not timed from Exit Button(EB).
5. The **Unlock Mode** must be set to 0 (by default).



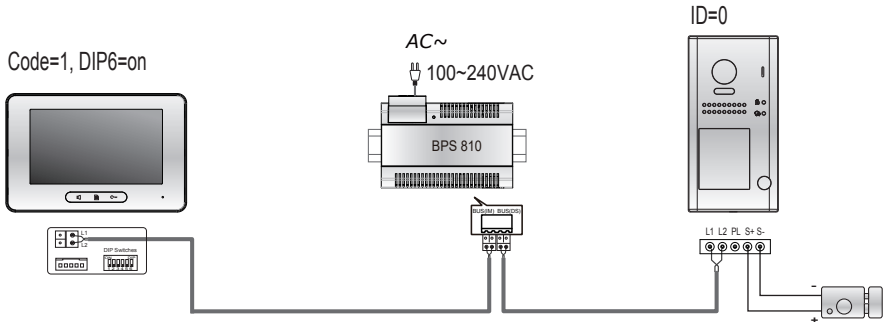
### Door Lock Controlled with Dry Contact

1. The external power supply must be used according to the lock.
2. The inside relay contact is restricted to 230Vac 1A or 24Vdc 1A.
3. The jumper must be taken off before connecting.
4. Setup the **Unlock Mode** according to different lock types.
  - Power-on-to-unlock type: Unlock Mode=0 (by default)
  - Power-off-to-unlock type: Unlock Mode=1



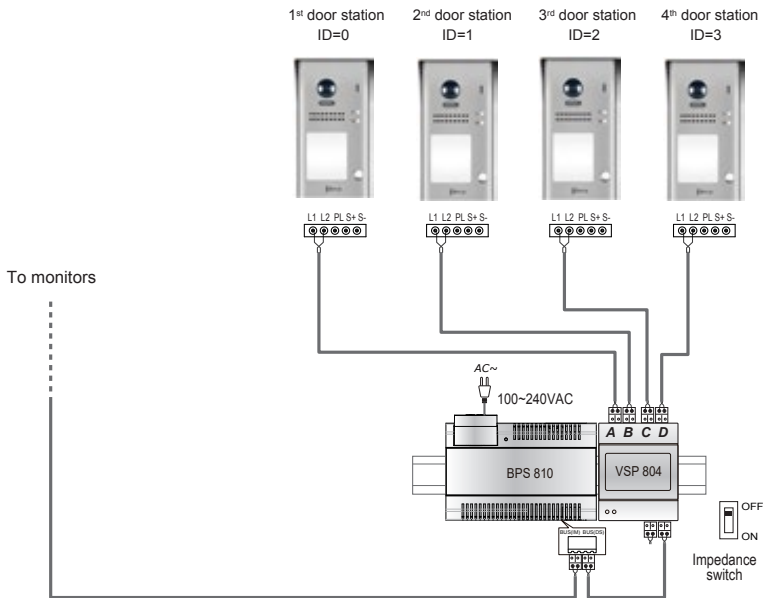
\* VSP 803 relay actuator is needed for 2nd lock connection.

### Connecting Basic One-to-one



- The door station work in **Standard** mode in this situation. Refer to Page 8 in detail.
- The door station is also compatible with other monitors which are provided by our company.

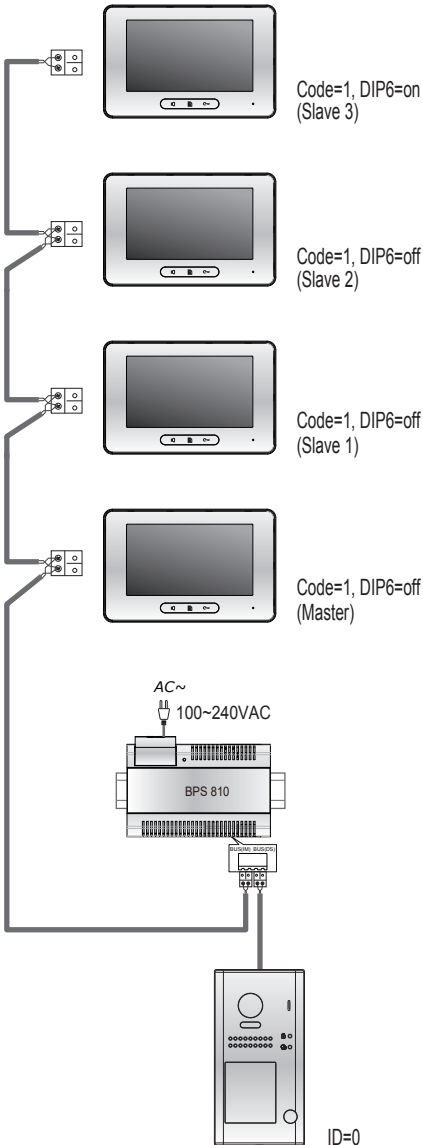
### Connecting Multi Door Stations



- Max.4 door stations can be connected to the system.
- Ensure to set the correct address for each door station, Refer to Page 7 for more details about the address setting of door stations.

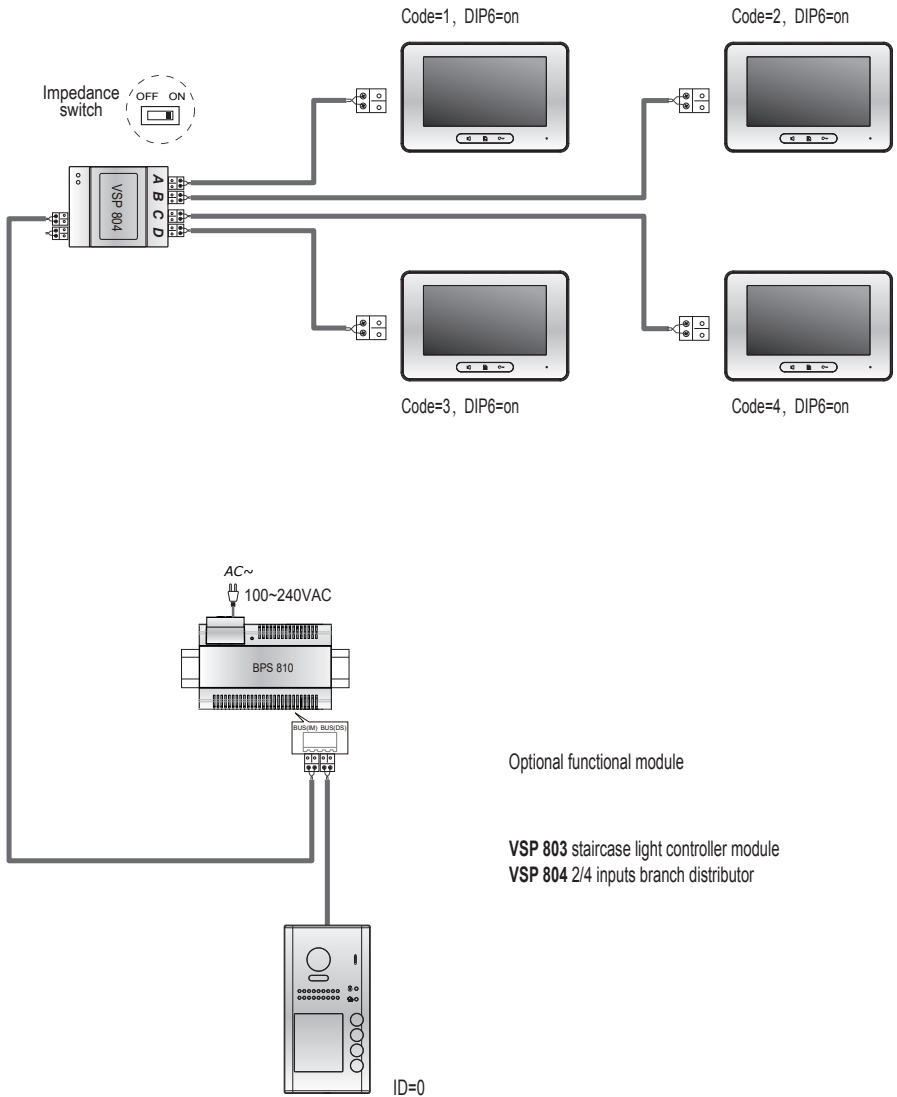
## Connecting Multi Monitors

### Basic IN-OUT Wiring in Standard Mode



- The door station is also compatible with other monitors which are provided by our company.
- Please set door station into group calling mode if there is more than 4 monitors in villa(Refer to Page 8)
- Distributor is unnecessary in full audio system, and IN-OUT mode is recommended.
- For the last monitor connected to the system, DIP6 should set to **ON**.

### Star Topology Wiring With VSP 804 in Standard Mode



- The door station is also compatible with other monitors which are provided by our company.
- It can be extended 3 slave monitors for each monitor.(Better use with extra distributor for the extension)

## Precautions

- Please clean the unit with soft cotton cloth, don't use the organic impregnant or chemical clean agent. If necessary, please use a little pure water or dilute soap water to clean the dust.
- The unit is weather resistant. However do not spray high pressure water on access control keypad directly. Excessive moisture may cause problems with the unit.
- You must use the right adaptor which is supplied by Siera or approved by Siera.
- Pay attention to the high voltage inside the products, please refer service only to a trained and qualified professional.

## Specification

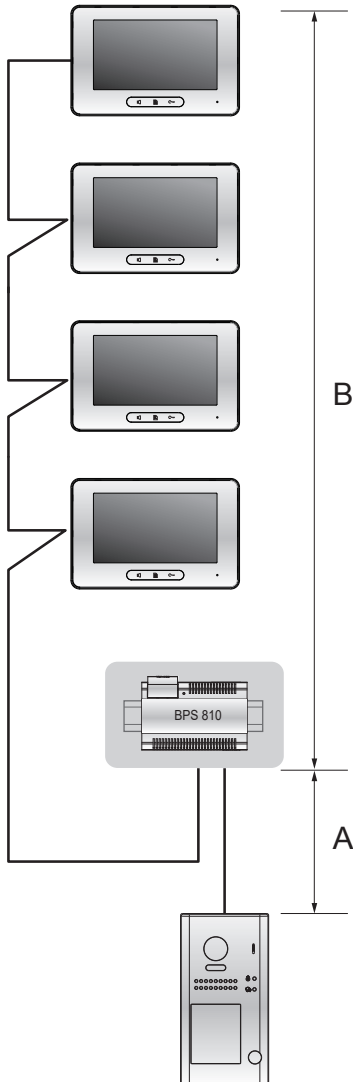
Power supply:	DC 24V
Power consumption:	Standby 0.8W; Working 3W
Camera lens:	Color CMOS, 520TVL 1/4" camera, 105° wide angle
Lock Power supply:	12Vdc, 250mA (Internal Power);
Number of relay circuits:	2 (the second lock need external device to support)
Mounting:	Surface wall-mount
Working temperature:	-20°C ~ +55°C
Protection:	IP54
Material:	Zinc alloy panel
Wiring:	2 wires, non-polarity
Dimension:	176(H)×90(W)×27(D)mm



## Cables and Requirments

The maximum distance of the wiring is limited in the 800 System. Using different cables may also affect the maximum distance which the system can reach.

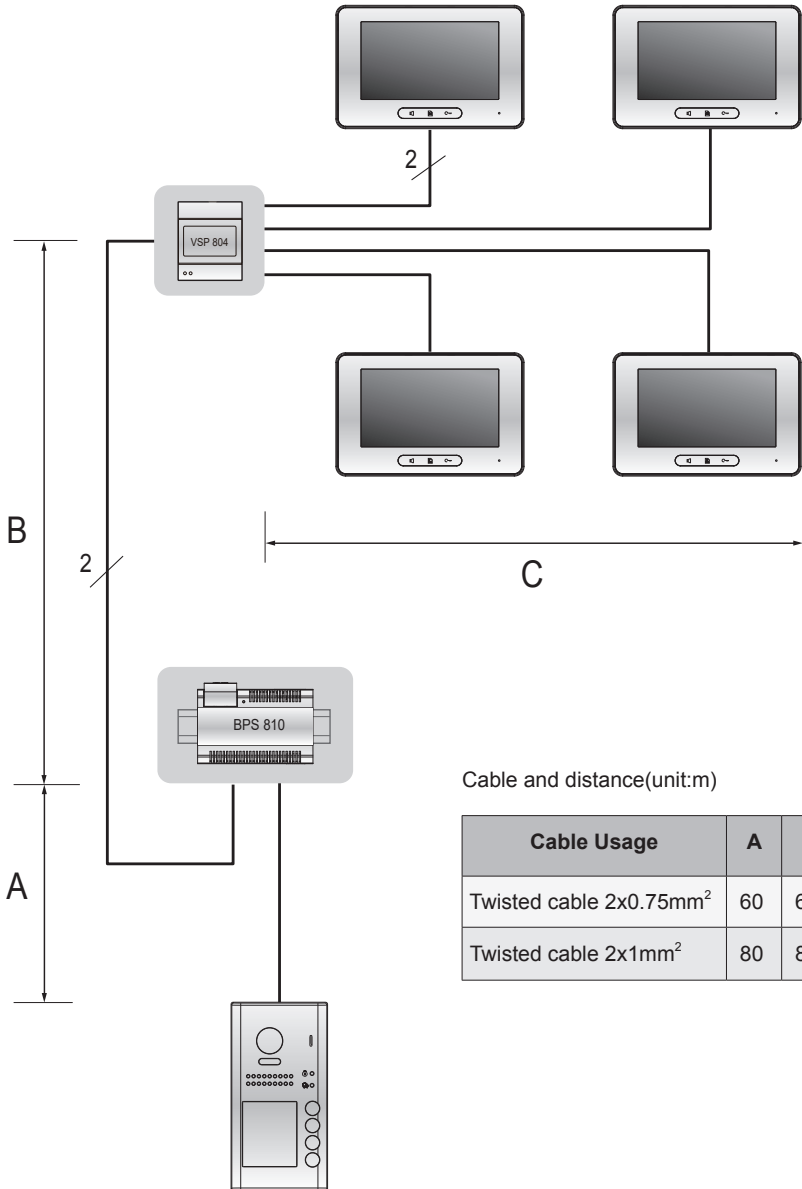
### Basic IN-OUT Wiring Mode



Cable and distance(unit:m)

Cable Usage	A	B	B
		≤2 IM	≤16 IM
Twisted cable 2x0.75mm <sup>2</sup>	60	100	40
Twisted cable 2x1mm <sup>2</sup>	80	120	60

Star Topology Wiring Mode With VSP 804



Cable and distance(unit:m)

Cable Usage	A	B	C
Twisted cable 2x0.75mm <sup>2</sup>	60	60	30
Twisted cable 2x1mm <sup>2</sup>	80	80	40





[sieraelectronics.com](http://sieraelectronics.com)