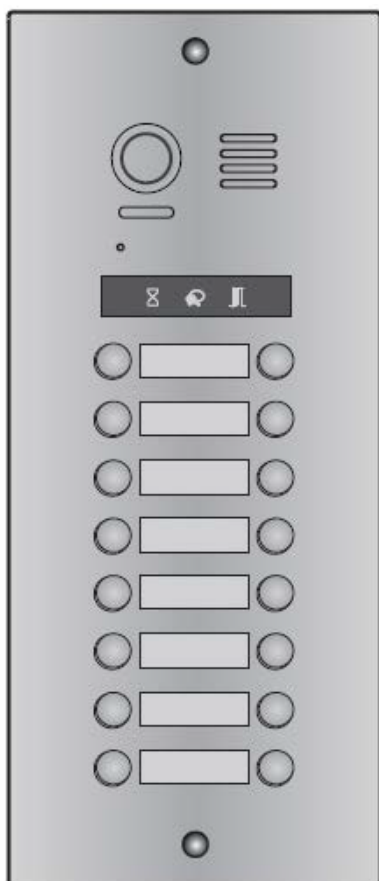


VSP 816 Door Station

800 System Fisheye Camera
Outdoor Station

Quick Installation Guide



1. Introductions

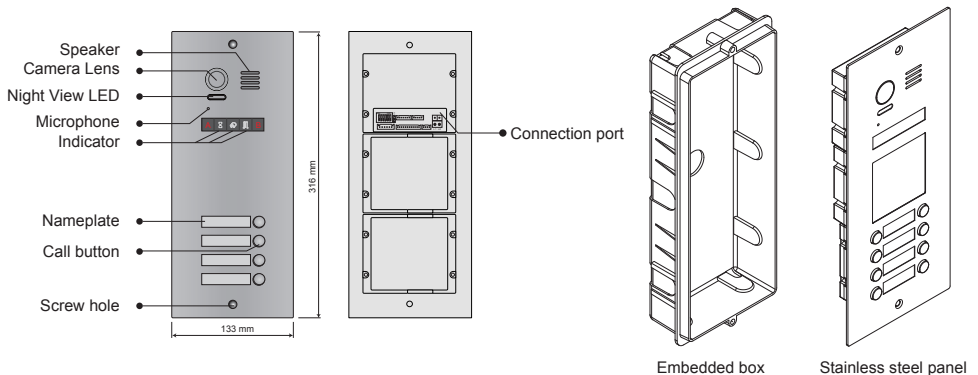
This manual is just a guide for quick installation.

For more detail instructions, please refer to 800 System technical guide.

The door stations are used as speaking and operating units for the door communication system at the front door.

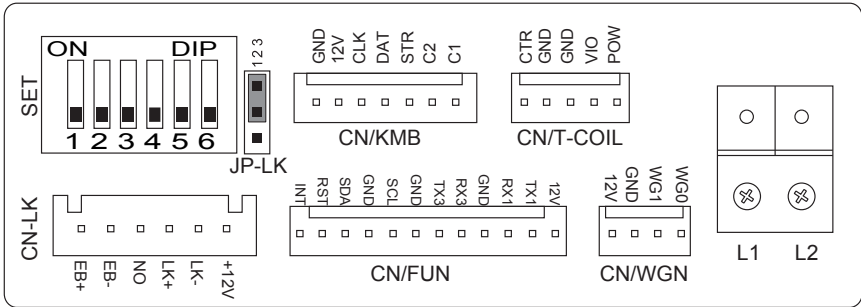
Via the door station, a call is connected to the desired home station after a call button is pressed.

2. Parts and Functions



Note: Key A and key B will not be seen on the panel, they are cryptic. About key A and key B, please refer to Part 9.

3. Terminal Description



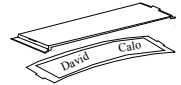
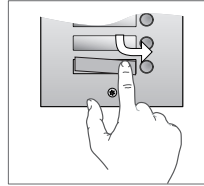
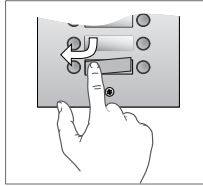
- **+12V:** 12VDC power output.
- **LK-:** power ground.
- **LK+:** common contact of the relay.
- **NO.:** normally open contact of the relay(refer to 800 System technical guide for Lock connection detail informations).
- **EB+:** exit button positive connection port.
- **EB-:** exit button negative connection port.
- **JP-LK:** for electronic lock safety type setting(refer to door lock connections).
- **SET :** DIP switches for system configurations.
- **CN/KMB:** call button module connection port.
- **CN/T-COIL:** reserved.
- **CN/FUN:** touch sensor keypad module.
- **CN/WGN:** Not available.
- **Bus(L1,L2):** non-polarity bus line,connect to BPS 800(power comb unit).

4. Specification

- Power supply: 26Vdc(supplied by BPS 800)
- Power Consumption: 1W in standby, 5W in working
- Camera lens: Color CMOS, 2.0 Mega pixel
1/2.7" fisheye camera,170⁰ wide angle
- Unlock Power output: 12Vdc,250mA
- Unlock timing: 1~99s
- Working temperature: - 20°C ~ +55°C
- Dimension: 316(H)x133(W)x48(D)mm

5. Place Name Label

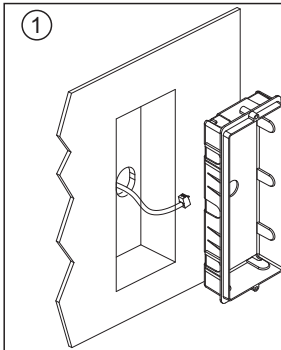
Press down and move right/left to open the transparent nameplate cover. Then insert the name paper and put the cover back. Note that the double row button panel can be opened in both direction, single row button can only be opened at right side.



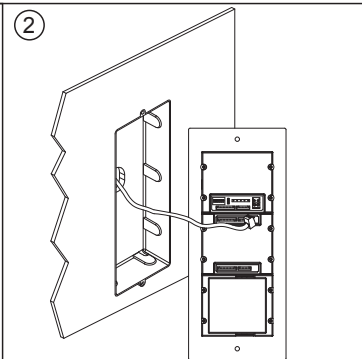
name paper

6. Mounting

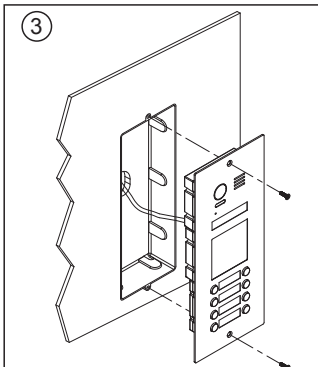
Standard mounting



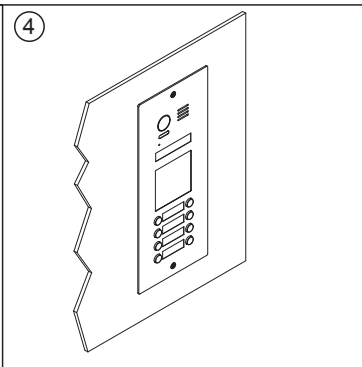
① Drill a hole and attach the embedded box to it.



② Wire correctly and plug in the bus line connector

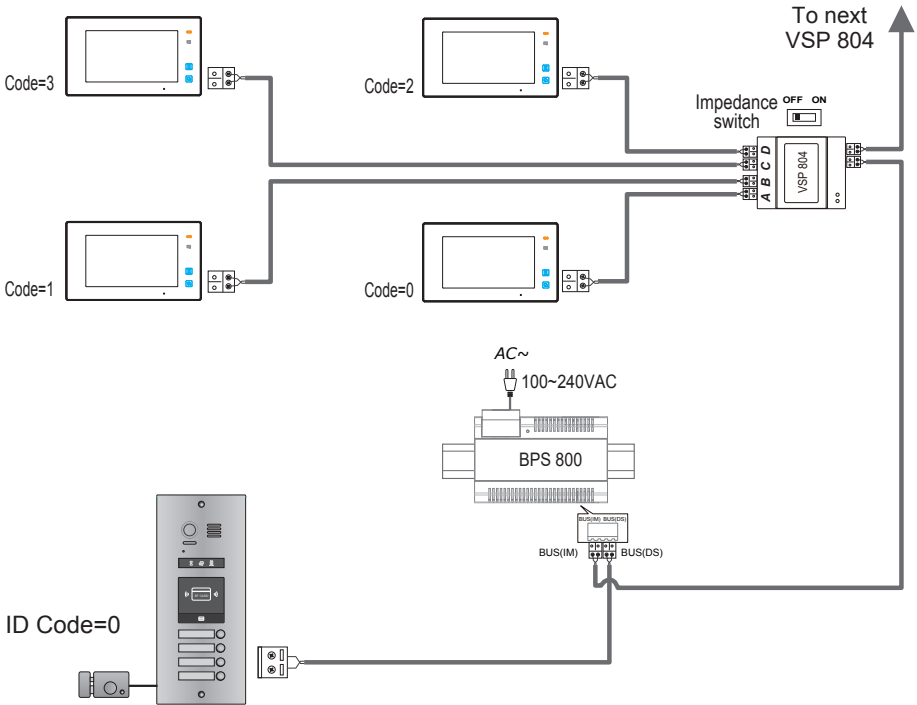


③ Use the screws to fasten the panel



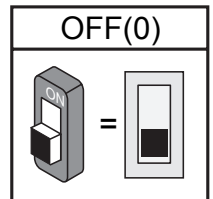
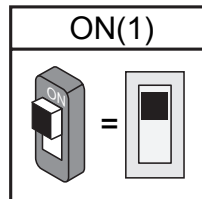
④ The last view for all mounting.

7. System Connection



8. DIP Switches Settings

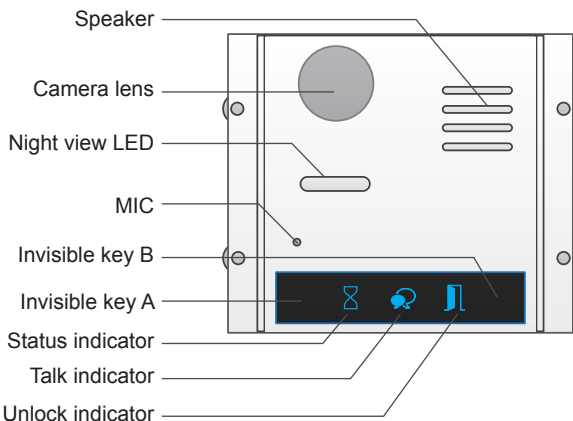
Totally 6 bits can be configured by dip-switch. All switches can be modified either before or after installation, please restarting the power whenever the switches have been modified.



- **Bit-1 and Bit 2 are used for door station ID settings.** When multi door stations are installed in the system, these two bits must be set correctly, the first door station set to 00, the second one set to 01, the third one set to 10, the fourth one set to 11. If only one door station is installed, set to 00.
- **Bit-3 is used for single or double row button door station selection.** If the door station is a double row button, such as VSP 816, set this bit to 0. For single row button door station, set to 1.
- **Bit-4 is used for button code selection.** If use the default codes for each button of the door station, set to 0. If use the programmed codes, set to 1.(the code for each button can be programmed by software, detail information refer to 800 System technical guide)
- **Bit-5 is used for unlocking time setting.** 0 is the default setting, and the default time is 1 second. If set to 1, the unlock time is 5 seconds(the unlock time can be modified by door station or software)
- **Bit-6 is used for activating the key A and key B.** Normally key A and key B is not activated(about the functions of key A and key B, please refer to 800 System technical guide), Just when power up to the module, and the bit-6 is set to 1, the key A and key B is activated.

9. Camera Module

(1)Parts and functions



Note: Key A and key B can not be seen on the panel, they are cryptic.

(2)Settings via touch button

A). Please know that the Bit-6 switch must be set to OFF, then power up to the module, and then the Bit-6 set to ON to carry on the following settings.

- **Unlocking Mode Setting**

When the door station with **Camera Module** is in standby.

(1)Press Key A, the **Unlock indicator** turns on with the warning sound of BP+, BP;

(2)Press Key A again to set the **Unlocking Mode to Normally On or Normally Closed**. (**Normally On**: the **Status indicator** blinks for one time with the warning sound of BP+; **Normally Closed**:the **Status indicator** blinks for twice with the warning sound of BP+, BP).



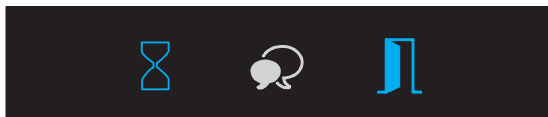
- **Unlocking Time Delay Setting**

When the door station with **Camera Module** is in standby.

(1)Press Key A, the **Unlock indicator** turns on with the warning sound of BP+, BP;

(2)Press Key B and hold on to enter the **Unlocking Time Delay Setting**, a warning sound of BP will be heard and the **Status indicator** blinks one time per second.

The counting of **Unlocking Time** is the times that **Status indicator** blinks(the units is second). For example,the **Status indicator** blinks for four times,that means the unlocking time is 4 seconds.



- **Warning Tune Setting**

When the door station with **Camera Module** is in standby.

(1)Press Key A and hold on for 3 seconds to enter the **Warning Tune Option Mode**, the **Status indicator** turns on and the current tune is playing;

(2)Press Key A again to play next tune;

(3)Press Key B to quit.



- **Tune Volume Setting**

When the door station with **Camera Module** is in standby.

(1)Press Key B to enter **Tune Volume Setting**, the **Talk indicator** turns on,at the same time, play the tune at current volume;

(2)Press Key A to increase/decrease the volume;

(3)Press B to exit.

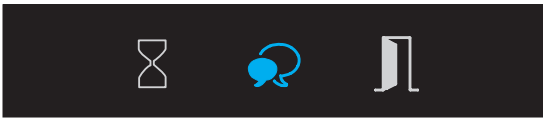


- **Talk Volume Setting**

(1)During conversation, press Key B and hold on for 3 seconds to enter the **Talk Volume Setting**, The **Talk indicator** turns on with the warning sound of BP+,BP;

(2)Press Key A to increase/decrease the volume.

(3)Press Key B to exit.



B). Please know that the Bit-6 switch must be set to ON, then power up to carry on the following settings.

- **Camera N / P Standard Switch**

When the door station with **Camera Module** is in standby.

(1)Press Key A, the **Talk indicator** and **Status indicator** turns on with the warning sound of BP+, BP;

(2)Press Key A again to enter the **Camera N/P Standard Switch** setting. (**P Standard**: the **Status indicator** blinks for one time with the warning sound of BP+; **N Standard**: the **Status indicator** blinks for twice with the warning sound of BP, BP).

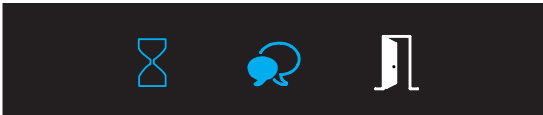


- **Enable/Disable Image Zoom Mode**

When the door station with **Camera Module** is in standby.

(1) Press Key A, the **Talk indicator** and **Status indicator** turns on with the warning sound of BP+, BP;

(2) Press Key B to enter the **Enable/Disable Image Zoom Mode** setting. (**Enable Image Zoom Mode**: the **Talk indicator** blinks for one time with the warning sound of BP+; **Disable Image Zoom Mode**: the **Talk indicator** blinks for twice with the warning sound of BP, BP).



* If enable image zoom mode, when the monitor being called, the image will be displayed on full screen for 5 seconds, then switch to Zoom image.

10. Electric Lock Connection

1) Door Lock Controlled with Internal Power

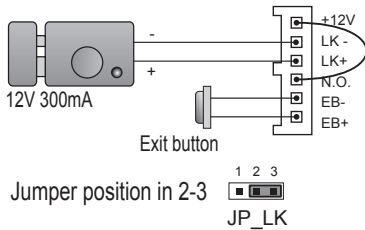
1. The door lock is limited to 12Vdc, and holding current must be less than 250mA when using internal power supply mode.

2. The **Unlock Mode Parameter** must be set to 0 (by default).

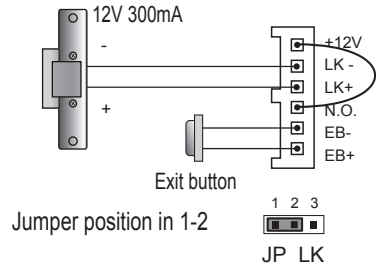
3. Jumper set to 1-2 position for power-off-to-unlock safety type (*Normally closed mode*); set to 2-3 position for power-on-to -unlock type (*Normally open mode*).

4. If different unlocking time is needed, change the unlock time on door station, detail information refer to 800 System technical guide .

Power-on-to-Unlock type:



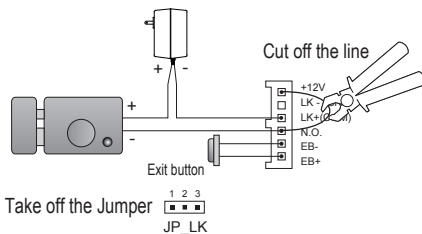
Power-off-to-Unlock type:



2) Door Lock Controlled with External Power

1. The external power supply must be used according to the lock.
2. The jumper must be taken off before connecting.
3. Setup the **Unlock Mode Parameter** for different lock types
 - Power-on-to-unlock type:Unlock Mode=0(by default)
 - Power-off-to-unlock type:Unlock Mode=1
4. If different unlocking time is needed, change the unlock time on door station,detail information refer to 800 System technical guide .

Power-on-to-Unlock type:



Power-off-to-Unlock type:

