

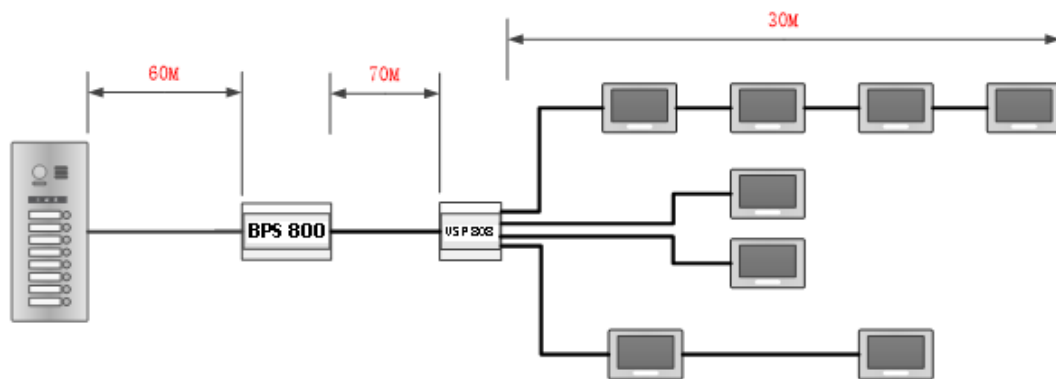
## VSP 808 Introduction

VSP 808 is the upgrade version of VSP 804, it has the same function as VSP 804,

Thanks for VSP 808, it can be used for the complicated Project. In conclusion, there are 2 modes for different mode:

For example, if one apartment needs to install 3 monitors, but there has only one cable, so you can use the Basic IN-OUT mode on VSP 808, see as follow:

### Basic IN-OUT mode:

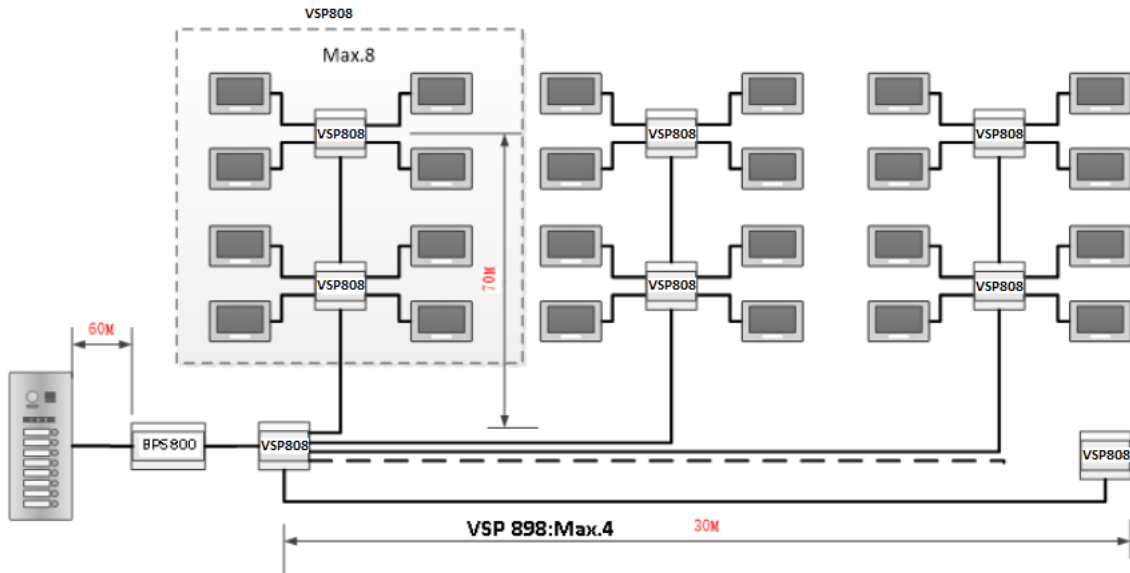


Note that:

1. Monitor quantity is not more than 4 pcs on each branch of VSP 808
2. Max. quantity of monitor is not more than 8 pcs on one single VSP 808
3. The distance is not more than 30m from the last monitor to its VSP 808

In another situation, some building has more than two blocks, but all the apartments use the same outdoor panel, so it works on Riser mode of VSP 808

**Riser mode:**



**Note that:**

1. BPS 800 to the last VSP 808 in riser mode, max distance is 100 meters.
2. Distance between each VSP 808 is max 30m
3. VSP 808 can work with VSP 804, it is used for complicated Project, but not for the expansion of capacity. Normal capacity for video monitor is still 32 pcs.