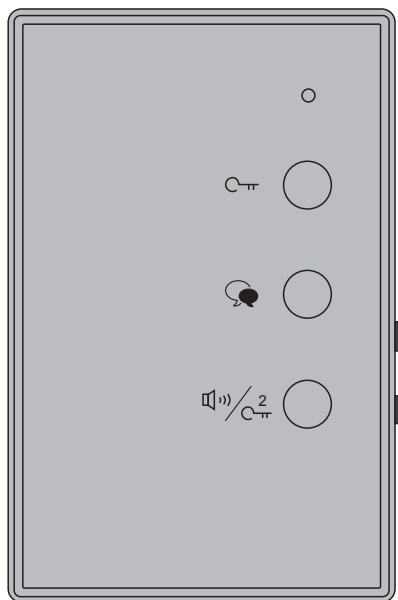


TSP 700

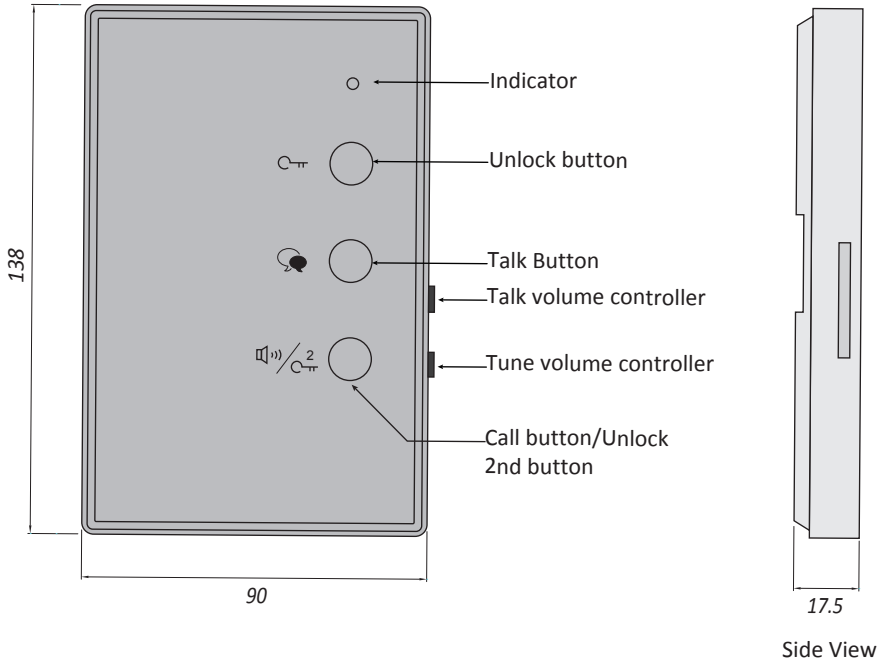
Audio Phone



User Manual

Read this manual carefully before using the product, and keep it well for future use.

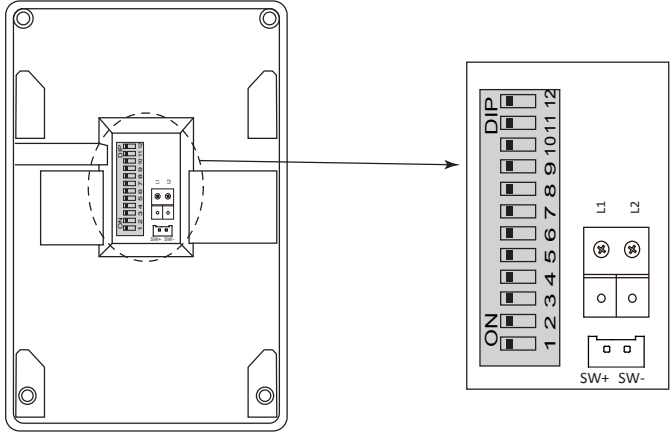
1. Parts and Functions



Key functions

Unlock button	Press it to release the door; In setup mode, press it to exit the setup state.
Talk button	In standby mode, long press it to enter setup mode; During called state, press it to communicate hands free with visitor; In setup mode, press it to switch a group of ring tunes.
Talk volume controller	Adjust the talk volume.
Tune volume controller	Adjust the tune volume.
Call button/Unlock 2nd button	In standby mode, press it to activate inner call; During called state, press it to release the second door; In setup mode, press it to exit the setup state.

2. Terminal Descriptions



L1, L2: Bus terminal.

SW+, SW-: Door bell call button connection port.

DIP:

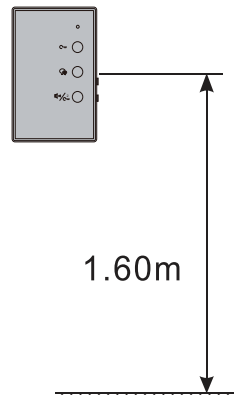
Bit-1~7: Used to User Code setting or Extended Address setting(Bit-10 set to ON).

Bit-8~9: Used to Slave Monitor Address (Bit-10 set to OFF).

Bit-11: Set to ON if the monitor is at the end of the line;Otherwise, set to OFF. Bit-12: Reserved.

3. Unit Mounting

- 1). Fix 2 screws to the wall at a appropriate height;
- 2). Connect the system correctly;
- 3). Attach the audio phone to the bracket.



4. Operation Instructions

1) Door release function: When visitor calls from outdoor station, the monitor rings, press **Talk** button to talk with the visitor, then press the **Unlock** button to open the door. If the system connect 2 locks, press **Call button/Unlock 2nd** button to open the second door.
















2) Inner call: When the monitor is in standby mode, press **Call button/Unlock 2nd** button to activate the inner call.


















5. Setup Instructions

5.1 User Code Setting

In the System 800, every apartment must have a unique identification called User Code. The DIP switches are used to configure the User Code for each Monitor.

- Bit-1~5 are used to User Code setting. The value is from 1 to 32, which have 32 different codes for 32 apartments.
- Bit-11 is used to video match.

Bit State	User Code	Bit State	User Code	Bit State	User Code
	Code=1		Code=12		Code=23
	Code=2		Code=13		Code=24
	Code=3		Code=14		Code=25
	Code=4		Code=15		Code=26
	Code=5		Code=16		Code=27





Bit State	User Code	Bit State	User Code	Bit State	User Code
	Code=6		Code=17		Code=28
	Code=7		Code=18		Code=29
	Code=8		Code=19		Code=30
	Code=9		Code=20		Code=31
	Code=10		Code=21		Code=32
	Code=11		Code=22		

5.2 Slave Address Or Extended Address Setting

















When multi Monitors are installed in one apartment, these Monitors have to use the same User Code setting, and the Master/Slave mode should be set on the Monitor.

- Bit-6~7 are used to extended address setting, but Bit-10 set to ON.
- Bit-8~9 are used to slave address setting, but Bit-10 set to OFF.

5.2.1 When Bit-10 set to OFF, the Bit-8~9 are used to master/slave address setting:

Bit State	Master/Slave type
	Master monitor
	Slave monitor 1
	Slave monitor 2
	Slave monitor 3

5.2.2 When Bit-10 set to ON, the Bit-6~7 are used to extended address setting:

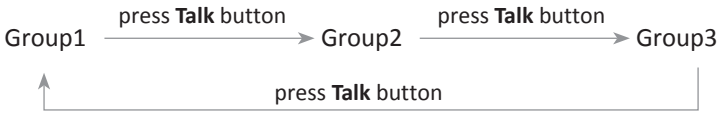
Bit State	User Code	Bit State	User Code
	Code=1		Code=65
	Code=2		Code=66
...
	Code=31		Code=95
	Code=32		Code=96
	Code=33		Code=97
	Code=34		Code=98
...
	Code=63		Code=127
	Code=64		Code=128

5.3 Ring Tune Setting

1). There are three groups ring tunes to choose for you:

Group name	Items	Songs
Group1	Door Station	RING_DingDong
	Intercom Call	RING_tender
	Door Bell	RING_MorningRING
Group2	Door Station	RING_MorningRING
	Intercom Call	RING_mess
	Door Bell	RING_Popular
Group3	Door Station	RING_call
	Intercom Call	RING_Popular
	Door Bell	RING_DingDong

2). Press and hold **Talk** button in standby mode to enter the state of ring tune setting, and then each time you press **Talk** button to switch a group of ring tunes. Three groups ring tunes cycle:



3). If there isn't any operation within 10s, or press any button, it will exit the setting.

6. Specification

- Power Supply: DC26V
- Power Consumption: standby 4.4mA, working 81mA
- Working Temperature: -15°C ~ +45°C
- Wiring: 2 wires, non-polarity
- Dimension: 90(H)X138(W)X17.5(D)mm