



VOLUME CONTROLLER

Before installing this product, please read these installation directions.

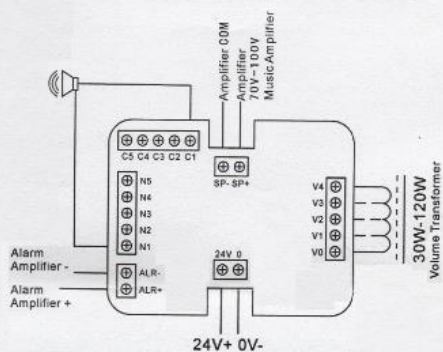
PRECAUTIONS

Two or more volume controller can be bridged. Useable cables are IV (Indoor Vinyl) or HIT (Heat Resistant Vinyl) 0.8~1.4mm or standard cable with cross-sectional area of 0.5~1.5mm².

SPECIFICATIONS

Model No.	LSP 1490
Input Capacity	90W
Method	Resistance
Switch	DC 24V
Volume Controller	5 steps (OFF, -15dB, -10dB, -5dB, 0dB)
Accessory	M3.5 X 20 Screw 2 Plate 1

CONNECTION



INSTALLATION

1. The volume controller to take connect the cable to the specified terminal.
2. Using the supplied screws, fit the main unit in the flush-mounted box.
3. Attach the supplied plate to the unit.

